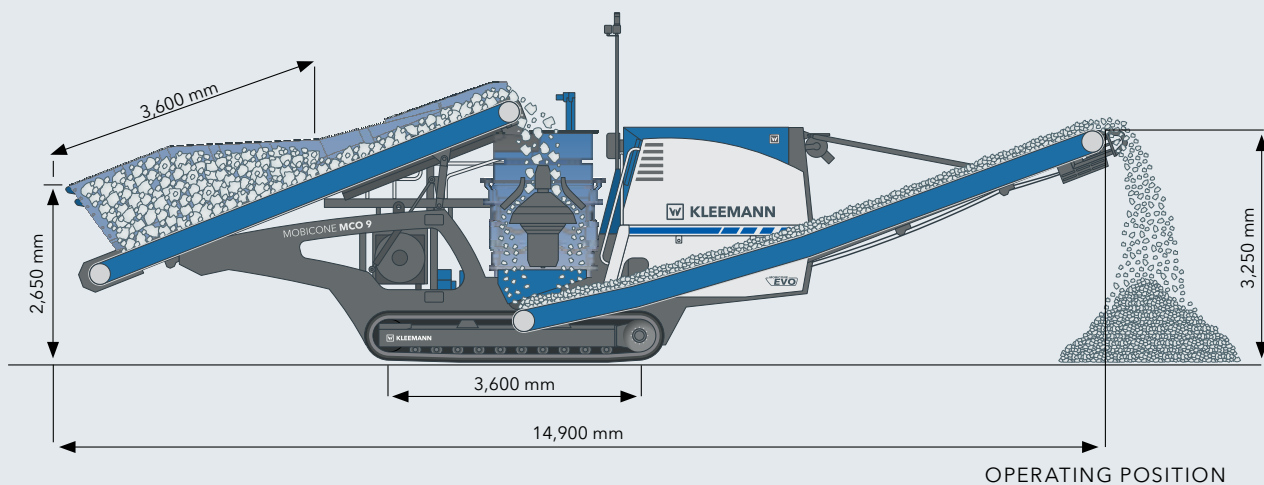


TECHNICAL INFORMATION | TRACK-MOUNTED CONE CRUSHERS

MOBICONE MCO 9/9i EVO





TECHNICAL HIGHLIGHTS

- ❑ Cone crusher with bearings and automatic circulation lubrication for high feed capacity and long service life
- ❑ Available as secondary or tertiary crusher
- ❑ Diesel-directdrive
- ❑ Linkage option with other KLEEMANN plant (option)

TECHNICAL INFORMATION MCO 9/9i EVO

Feeding unit

Feed capacity up to approx. (t/h)	270
Feed size max. (mm)	200
Feed height approx. (mm)	2,650
Feed height with extension approx. (mm)	3,080
Hopper volume approx. (m ³)	6.4
Hopper volume with extension approx. (m ³)	7.5
Width x length approx. (mm)	2,580 x 3,560
Width x length with extension approx. (mm)	2,580 x 3,840

Feeding conveyor

Width x length (mm)	1,000 x 6,400
---------------------	---------------

Crusher

Cone crusher type	KX 200
Crusher system size d= (mm)	970
Crusher weight approx. (kg)	8,900
Crusher drive type, approx. (kW)	direct, 160
Plant performance at 0-32 mm approx. (t/h)	220
Plant performance at 0-63 mm approx. (t/h)	270

Crusher discharge conveyor

Width x length (extended) (mm)	800 x 8,800 (10,400)
Discharge height approx. (extended) (mm)	3,200 (3,795)

Power supply unit

Drive concept	diesel direct ¹⁾
MCO 9 EVO: Scania (Tier 3/Stage IIIA) (kW)	248 (1500 rpm)
Scania (LRC) (kW)	248 (1500 rpm)
MCO 9i EVO: Scania (Tier 4f/ Stage IV) (kW)	243 (1500 rpm)
Generator (kVA)	130 (1500 rpm)

Dimensions in transport position

Transport height approx. (mm)	3,400
Transport length approx. (mm)	16,140
Transport width approx. (mm)	3,000
Transport weight of basic plant - max. configuration (kg)	30,000 - 33,500

¹⁾ all ancillary drives electric



MOBICONE MCO 9/9i EVO

The MOBICONE MCO 9 EVO has compact dimensions and, with a weight of 30 tons, transportation is straight-forward. Thanks to the easy setup, just a few steps are needed to set it up and prepare it for operation. Being compact and powerful, the plant also scores in terms of diesel consumption: The diesel-directdrive and also the electric drives of the conveyor belts ensure that fuel consumption is pleasantly acceptable. The optional extended crusher discharge conveyor can be folded hydraulically as standard and enables a high stockpile volume.

STANDARD EQUIPMENT

- Hopper made of KRS (KLEEMANN Resistant Steel), hopper volume approx. 6.4 m³
- Frequency-controlled feeding conveyor, automatic control depending on crusher filling level thanks to Continuous Feed System (CFS)
- Metal detector under the feeding conveyor to protect the cone crusher against uncrushable metallic material
- Overload system in crusher for opening crushing chamber in the event of uncrushable material
- Intelligent overload detection ("Ring Bounce Detection") protects the crusher against damage, 2 modes available
- Wear indicator for detecting actual wear on crushing tool
- Control concept: easy control through touch panel with menu-guided operation and visualisation
- Remote control: cable and radio remote control inc. switch-off function for feeding unit
 - Demand-based water-spray system for dust reduction
- Lighting

OPTIONS

- Hopper extension up to total hopper volume of 7.5 m³
- Magnetic remover for lifting out magnetic components
- Extended crusher discharge conveyor, discharge height approx. 3,800 mm, hydraulically folding
- Belt scales in crusher discharge conveyor
- Belt cover of crusher discharge conveyor (standard and extended)
- Line coupling for interlinking with further KLEEMANN plants
- Camera system for monitoring feeding unit and crusher from ground level, also available with radio remote extension
- Oversize grain return conveyor can be mounted on left or right for return of oversize grain material to a mobile KLEEMANN screening plant
- Track pads for the crawler carrier chains to protect the ground
- Premium lighting
- Climate packages: hot and cold package



SPARE PARTS

For economical operation of the machine, it is also necessary to select the correct wear parts. Original parts from KLEEMANN are optimally designed for the requirements of the user and machine. They are characterised by a long service life, excellent quality, good availability and trouble-free assembly. With application know-how and competent advice, we can find the optimum wear part for our customers to match their individual application.

WEAR PARTS DEPENDING ON APPLICATION

<p>Crusher cone</p>	<p>Versions:</p> <ul style="list-style-type: none"> ☑ Standard ☑ Short Head 						
<p>Bowl liner</p>	<p>Versions:</p> <ul style="list-style-type: none"> ☑ Standard Fine ☑ Standard Medium ☑ Standard Coarse ☑ Short Head Fine ☑ Short Head Medium ☑ Short Head Coarse <p>Two quality levels available: > XPERT with 18% manganese > XTRA with 20% manganese (for longer service life)</p>						
	<table border="0" style="width: 100%; text-align: center;"> <tr> <td data-bbox="280 1261 663 1507"> <p>Standard Coarse (SC)</p> </td> <td data-bbox="695 1261 1078 1507"> <p>Standard Medium (SM)</p> </td> <td data-bbox="1110 1261 1493 1507"> <p>Standard Fine (SF)</p> </td> </tr> <tr> <td data-bbox="280 1559 663 1827"> <p>Short Head Coarse (SHC)</p> </td> <td data-bbox="695 1559 1078 1827"> <p>Short Head Medium (SHM)</p> </td> <td data-bbox="1110 1559 1493 1827"> <p>Short Head Fine (SHF)</p> </td> </tr> </table>	<p>Standard Coarse (SC)</p>	<p>Standard Medium (SM)</p>	<p>Standard Fine (SF)</p>	<p>Short Head Coarse (SHC)</p>	<p>Short Head Medium (SHM)</p>	<p>Short Head Fine (SHF)</p>
<p>Standard Coarse (SC)</p>	<p>Standard Medium (SM)</p>	<p>Standard Fine (SF)</p>					
<p>Short Head Coarse (SHC)</p>	<p>Short Head Medium (SHM)</p>	<p>Short Head Fine (SHF)</p>					

Further information is available at www.partsandmore.net or in our Parts and more catalogue